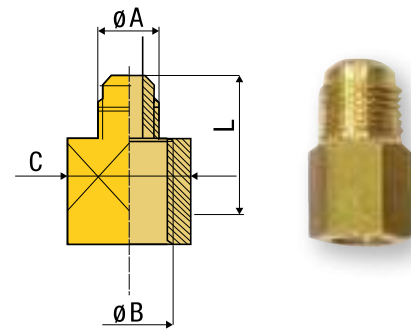
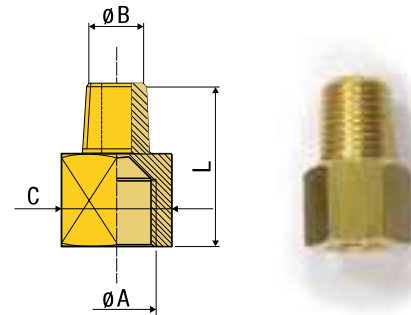


**REDUCED UNIONS SAE FLARE M X NPT F**

Code	Model	ØA	ØB NPT	C esag.	L mm	Weight	Min. Qty
05055008	46F	1/4"	1/8"	14	28	20 g	100
05108140001	46F/K	1/4"	1/8"	14	28	200 g	10
05055019	U3-4B	1/4"	1/4"	19	33	41 g	100
05108141001	U3-4BK	1/4"	1/4"	19	33	410 g	10
05055033	U3-4C	1/4"	3/8"	22	36	55 g	100
05108142001	U3-4CK	1/4"	3/8"	22	36	550 g	10
05055035	U3-6B	3/8"	1/4"	19	33	49 g	100
05055036	U3-6C	3/8"	3/8"	22	35	54 g	100
05055046	U3-6D	3/8"	1/2"	27	40	85 g	50
05055038	U3-8C	1/2"	3/8"	22	38	63 g	50
05055039	U3-8D	1/2"	1/2"	27	44	100 g	50


**REDUCED UNIONS SAE FLARE F X NPT M**

Code	Model	ØA	ØB NPT	C esag.	L mm	Weight	Min. Qty
05055040	U5-4A	1/4"	1/8"	17	28	21 g	100
05108143001	U5-4AK	1/4"	1/8"	17	28	210 g	10
05055041	U5-4B	1/4"	1/4"	17	30	39 g	100
05108144001	U5-4BK	1/4"	1/4"	17	30	390 g	10
05055042	U5-6B	3/8"	1/4"	22	34	51 g	100
05108145001	U5-6BK	3/8"	1/4"	22	34	255 g	5
05055043	U5-6C	3/8"	3/8"	22	34	65 g	100
05108146001	U5-6CK	3/8"	3/8"	22	34	325 g	5


**SAE FLARE PLUGS**

Code	Model	ØA flare	C esag.	L mm	Weight	Min. Qty
05063030	P2-4	1/4"	12	20	13 g	200
05063032	P2-6	3/8"	17	23	36 g	200
05063033	P2-8	1/2"	20	26	55 g	200

